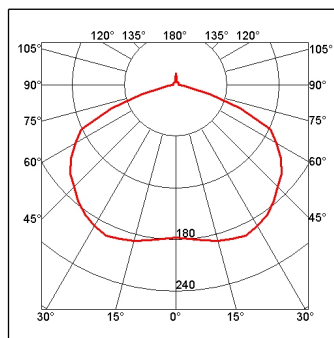


A 03 64 00
Tolomeo Sospensione due bracci alluminio
Aluminium

Rotatable arm structure in polished aluminium. Spring balancing system. Adjustable diffuser in anodised aluminium or stainless steel ring, or diffuser in parchment paper, in four sizes or in silk satin fabric on a plastic frame, in three sizes. Direct adjustable light emission.



	IP20	

Luminaire	
Item Code:	A 03 64 00
Designer name:	Giancarlo Fassina and Michele De Lucchi
Product typology:	Suspension luminaires
Material:	Polished aluminium
Colour:	Aluminium

Optics	
Light emission:	Direct adjustable
Diffuser finish material:	Anodised white aluminium

Light source	
ILCOS code:	IAA/C
Lamps description:	2 x A60 100w E27
Lamp category:	Incandescent lamps
Number of lamps:	2
Lamp type:	A60
Base:	E27
Lamp power (W):	100
Lamp duration (h):	1000
Luminous flux (lm):	1380
Voltage (V):	220V-240V
Colour rendering index (Ra):	1A

Electrical equipment	
Mains voltage (V):	220V-240V
Emergency Availability:	Without

Installation	
Environment:	Indoor
Mounting location:	Ceiling pendant