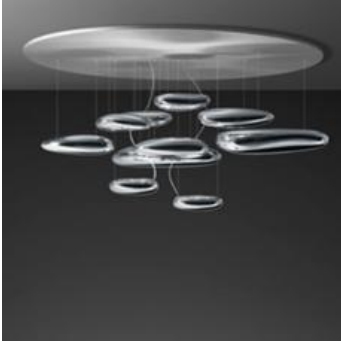


PRODUCT DATA SHEET

Mercury Halo soffitto - Inox



DESIGN BY :

RossLovegrove
2007

MATERIALS :

Painted steel, stainless steel, chrome aluminium, thermoplastic material

DESCRIPTION :

Lamp available in the suspension and ceiling versions. "A ceiling fixture that places a floating assembly of large pebbles below a simple modern aluminium disc. These in turn reflect each other bouncing light between their taught bio - morphic surfaces and reflecting the environment around them. During the day the piece acts as a sculptural object reflecting the dynamics of natural light and the movement of people around them. Die-cast aluminium lighting units; reflective units made of injection-moulded thermoplastic material with metallic finish; die-cast aluminium reflector.

Light emission



Indirect



TECHNICAL DATA SHEET

FEATURES

Product name:	Mercury Halo soffitto - Inox
Article Code:	1396110A
Colour:	Metal grey / mirror
Material:	Painted steel, stainless steel, chrome aluminium, thermoplastic material
Series:	Design,Hydro
Environment:	Indoor
Area contract:	Hospitality Hotel,Office,Private Residence

OPTICS

Emission:	Indirect
-----------	----------

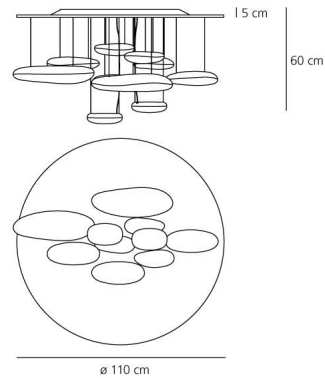
DIMENSIONS

Height:	cm 60
Cutout width:	cm 110
Cutout shape:	

LAMPS INCLUDED

Category:	HALO
Number:	2
Lbs:	Qt-de12
Watt:	160
Socket:	R7s
Type:	Hdg
Luminous Flux (lm):	3300
Colour Rendering:	1a
Colour temperature (K):	2950
Duration (h):	2000

DIMENSIONS



LAMP



LUMINAIR

Voltage:	220V-240V
----------	-----------