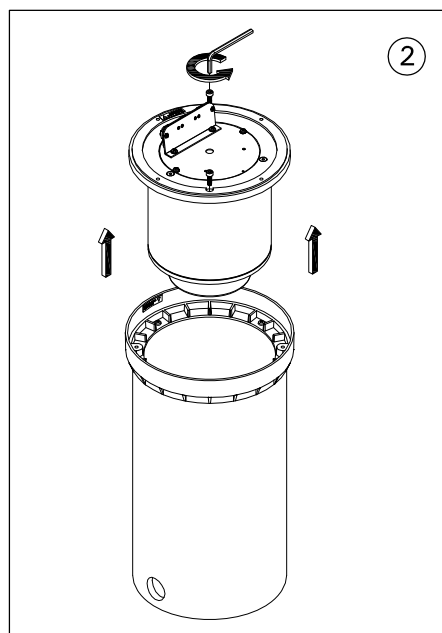
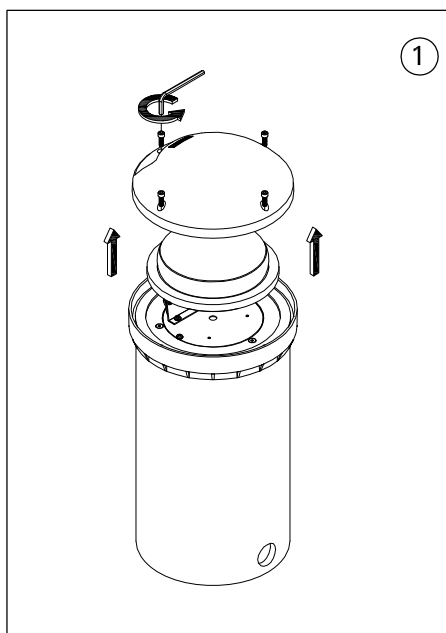
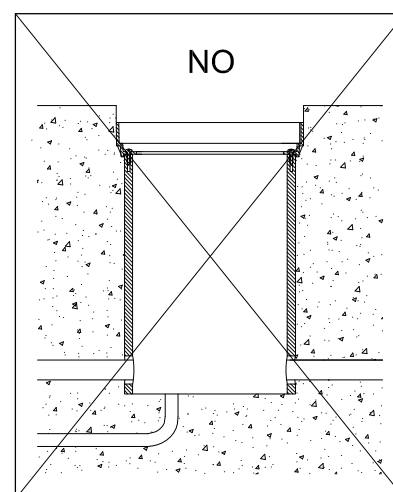
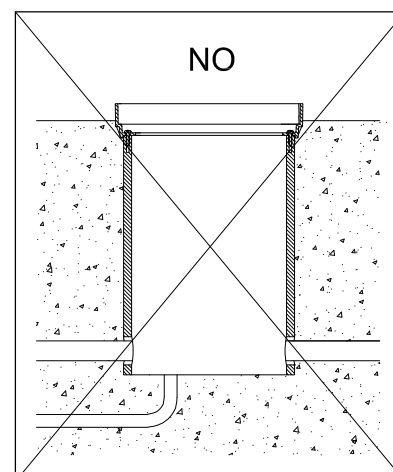
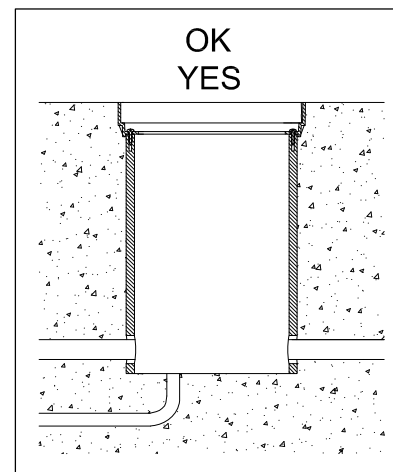
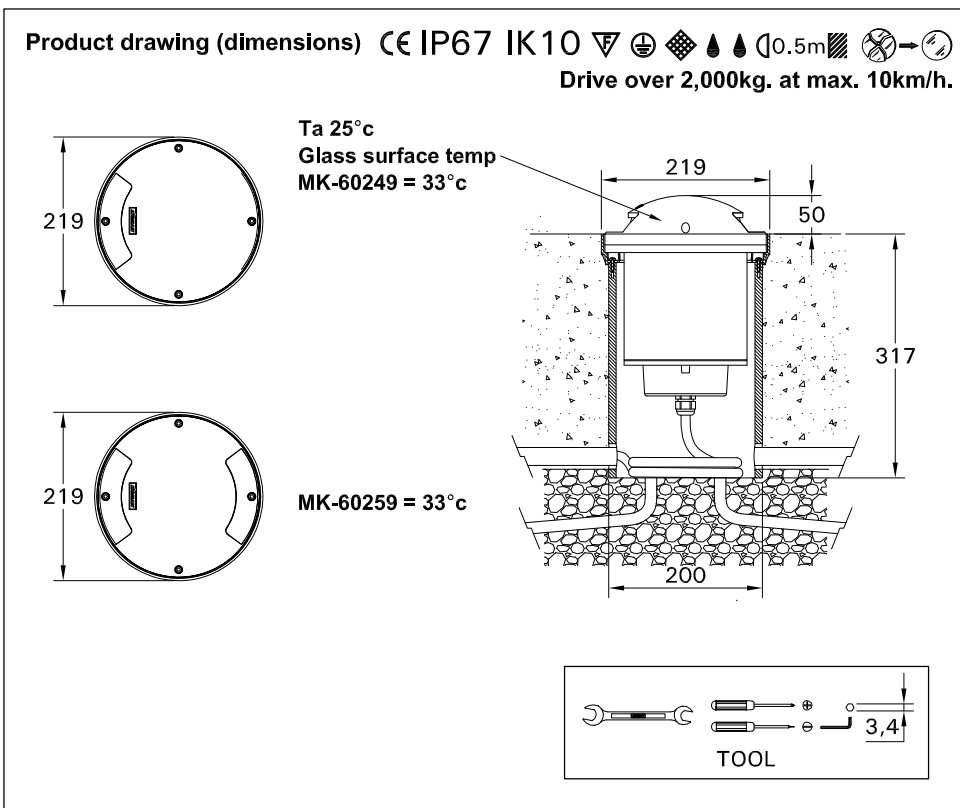


INSTALLATION AND SERVICE MANUAL



The quality of life ...

For installation of Mask inground Guide light Power LED.
Model. MK-60249 and MK-60259.



■ LIGMAN standard products are supplied with the control gear 220/230v 50Hz.
The control gear for other voltages and frequencies is available upon request, please consult us for more details.

■ LIGMAN luminaires are designed to conform IEC 60598 2-1 standard.

Technical amendments and modifications techniques reserved.

Ligman Lighting Company Limited

Head office and factory
17/2 Moo 4, Monthong, Bangnampreaw, Chachoengsao 24150 Thailand
Business Contact Address
Branch : Marketing department / Showroom & Customer service
2912 Ladprao Rd., Klonjun, Bangkok, Bangkok 10240 Thailand
Tel : +66 (2) 7339140 Fax : +66 (2) 7339154



