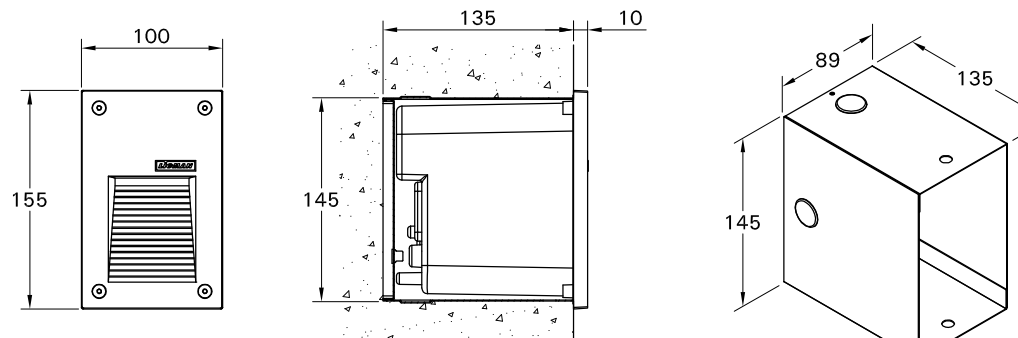

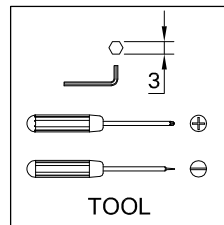


For installation of Rado 1 recessed location light LED.  
Model. RA-40531.

**Product drawing (dimensions)**

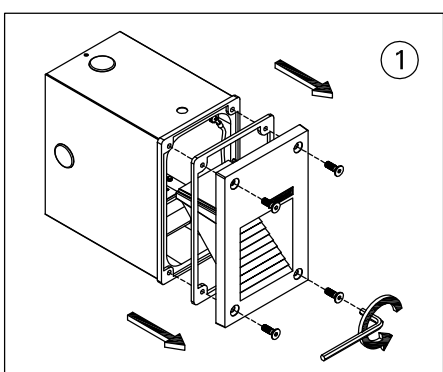
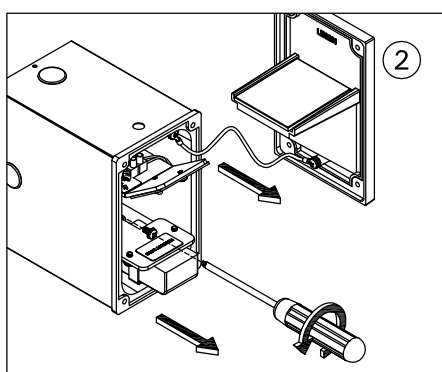
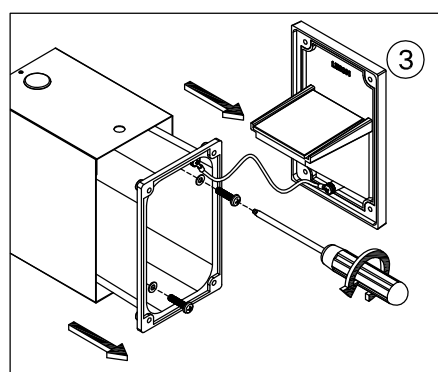
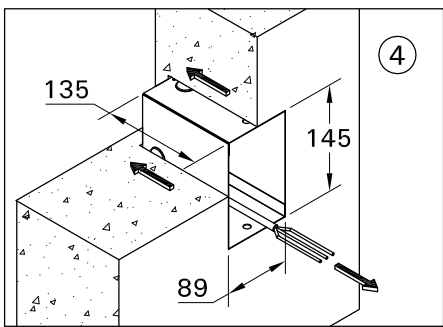
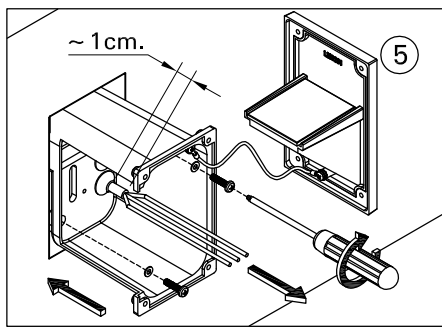
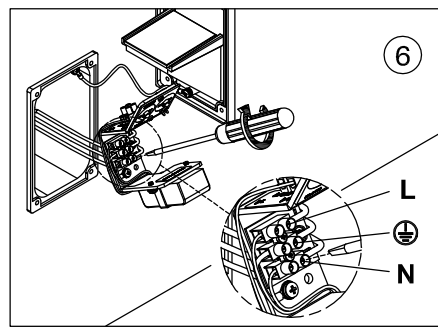
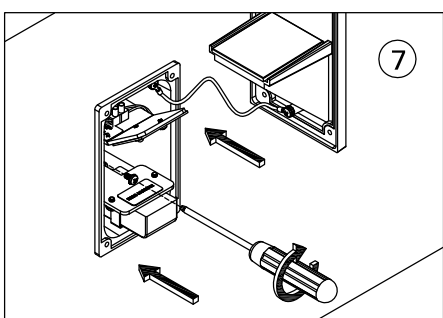
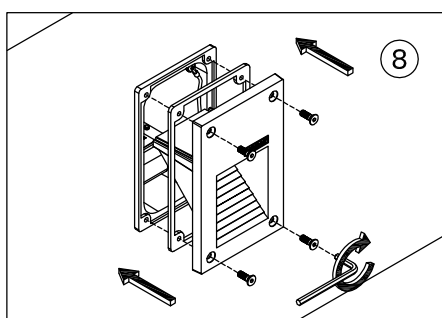
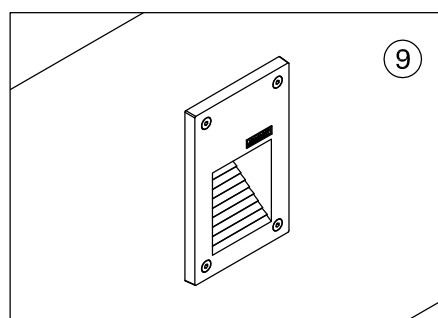


CE IP65 IK09

TOOL

RECESSING BOX  
ACCESSORIES  
A40351

- LIGMAN standard products are supplied with the control gear 100-240Vac.  
The control gear for other voltages and frequencies is available upon request, please consult us for more details.
- LIGMAN luminaires are designed to conform IEC 60598 2-1 standard.

Technical amendments and modifications techniques reserved.

**Ligman Lighting Company Limited**

Head office and factory  
17/2 Moo 4, Monthong, Bangnampreaw, Chachoengsao 24150 Thailand  
Business Contact Address  
Branch : Marketing department / Showroom & Customer service  
2912 Ladprao Rd., Klonjun, Bangkok, Bangkok 10240 Thailand  
Tel : +66 (2) 7339140 Fax : +66 (2) 7339154

www.ligmanlighting.com

M RA-40531/22/07/13/REV.1  
1/1



FM-TS-13/25-05-2007-REV.2